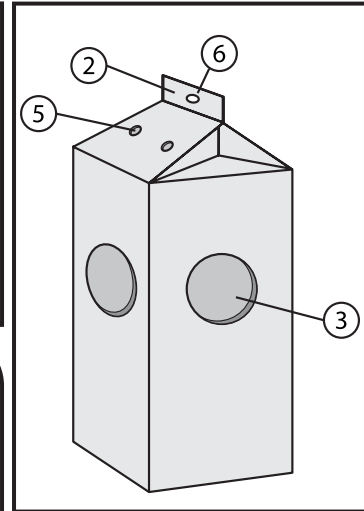


The Better Birdhouse!

Bird watching is a fun hobby. More people are enjoying it every day. You, too, can enjoy the gentle cooing of a mourning dove. You can watch the blue flash of a hummingbird wing as the little bird sips from a flower nearby. Bird watching does not have to take a lot of time or money. Using materials you can find around your house, you can build a good birdhouse. You can begin an enjoyable adventure in bird watching in 30 minutes, in your very own backyard. With these directions, it is easy!



Materials you will need

- Milk carton, quart or half-gallon size (empty)
- Glue
- Scissors
- Brown paint (acrylic)
- Paint supplies
- Twine, string, or a shoelace
- Twigs, grass, or moss

What kind of birds will you see?

Some of this will depend on where you live. You can look up state birds online or at your local library. Make the holes in your milk carton the right size for the birds you hope to attract. You can also set out the food that they like best! You can likely expect some species of swallows, sparrows, warblers, finches, and starlings.

check it out!

This birdhouse uses recycled materials:

- ✓ It benefits the Earth!
- ✓ It is cheap to build!
- ✓ It is still good for the birds!

EVERYONE WINS!

TO BUILD A BETTER BIRDHOUSE

1. Clean and dry the milk carton completely.
2. Glue the top of the milk carton shut. (Stapling works too.)
3. Cut holes into the milk carton for the birds to get into the birdhouse. The size you use will determine which birds use the house. An adult will need to get the holes started with your scissors. This is for safety reasons. You can make one hole per side, or two. A good place to put them is about four inches from the bottom.
4. Paint your milk carton brown. You will want to dab the paint on thickly. (Tip: If you have trouble getting the paint to stick, cover the whole carton with masking tape first, and then paint.) The brown will blend into the trees.
5. Poke several holes in the bottom of the carton to let out any waste. Add at least two small holes in the top of the carton. The top holes are to let in fresh air. Do this AFTER painting, or the paint could fill in your holes!
6. Poke a hole through the very top of the carton. Loop a string through it. The string is how it will hang from a tree.
7. Glue twigs and grass or moss along the top of the birdhouse or all over, if you want. This makes it look even more natural.
8. Hang the carton from a tree that is visible from a window of your house. Now you can watch your birds in any weather!

A good site to use for beginning tips:
www.birding.com

“The Better Birdhouse!” property of the Florida Department of Education.